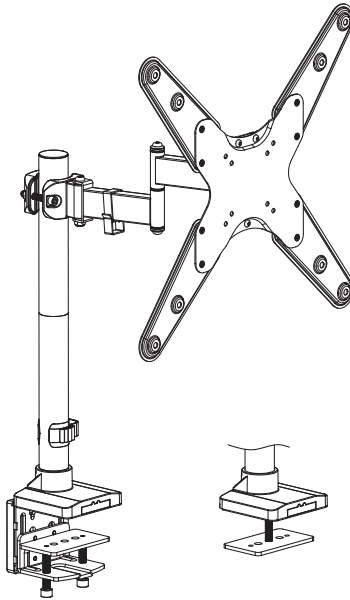




---

## Articulating Arm Single TV Desk Mount Instruction Manual



**SKU: STAND-V155M**



Scan the QR code with your mobile device or follow the link for helpful videos and specifications related to this product.

<https://vivo-us.com/products/stand-v155m>

---

GET IN TOUCH | Monday-Friday from 7:00am-7:00pm CST



help@vivo-us.com



www.vivo-us.com  
*Chat live with an agent!*



309-278-5303

# ⚠️ WARNING!

If you do not understand these directions, or if you have any doubts about the safety of the installation, please call a qualified technician. Check carefully to make sure there are no missing or defective parts. Improper installation may cause damage or serious injury. Do not use this product for any purpose that is not explicitly specified in this manual. Do not exceed weight capacity. We cannot be liable for damage or injury caused by improper mounting, incorrect assembly or inappropriate use.

## ⚠️ TIPOVER WARNING

SERIOUS OR FATAL CRUSHING INJURIES CAN OCCUR FROM TIPOVER. TO HELP PREVENT TIPOVER:

- NEVER ALLOW CHILDREN TO CLIMB, STAND, HANG, OR PLAY ON ANY PART OF MONITOR OR STAND.
- USE TIPOVER RESTRAINT OR ANCHOR STAND TO WALL

**USE OF TIPOVER RESTRAINTS MAY ONLY REDUCE, BUT NOT ELIMINATE RISK OF TIPOVER.**

## ⚠️ WARNING: CHOKING HAZARD

SMALL PARTS - NOT FOR CHILDREN UNDER 3 YEARS. ADULT SUPERVISION IS REQUIRED.

## PACKAGE CONTENTS



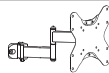
**A (x1)**  
Base



**B (x1)**  
Top Pole



**C (x1)**  
Bottom Pole



**D (x1)**  
Arm



**E (x1)**  
Support Plate



**F (x1)**  
Grommet Plate



**G (x1)**  
Pad



**H (x1)**  
Cover



**I (x1)**  
Clamp Brace



**J (x1)**  
Lower Clamp



**K (x2)**  
VESA Adapter Set



**L (x1)**  
Arm Clamp



**M (x1)**  
Arm Cable Clip



**N (x1)**  
Pole Cable Clip



**S-A (x2)**  
M10x63mm  
Screw



**S-B (x4)**  
M6x12mm  
Screw



**S-C (x2)**  
M8x55mm  
Screw



**S-D (x8)**  
M6x8mm  
Screw



**S-E (x2)**  
M8 Nut



**T-A (x1)**  
4mm Allen  
Wrench



**T-B (x1)**  
6mm Allen  
Wrench



**T-C (x1)**  
Wrench



**M-A (x4)**  
M6x14mm  
Screw



**M-B (x4)**  
M8x16mm  
Screw



**M-C (x4)**  
M6x30mm  
Screw



**M-D (x4)**  
M8x35mm  
Screw



**M-E (x4)**  
M8 Washer



**M-F (x4)**  
Small Spacer



**M-G (x4)**  
Large Spacer

## TOOLS NEEDED

**NOTE: NOT ALL HARDWARE INCLUDED WILL BE USED**

**DO NOT EXCEED WEIGHT CAPACITY.**  
Failure to do so may result in serious injury.

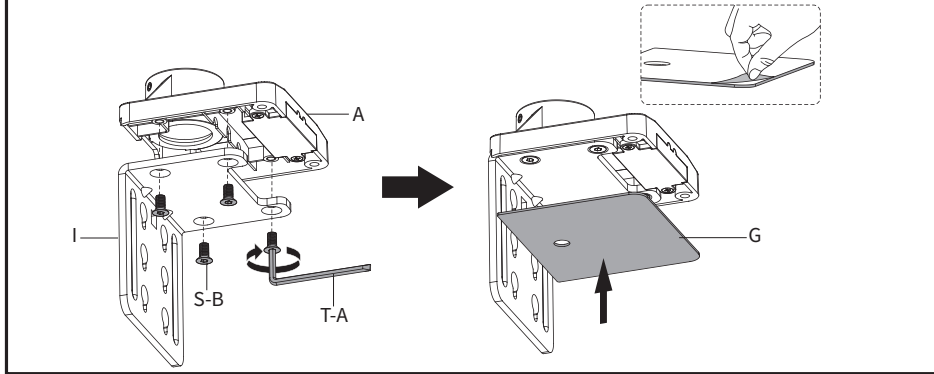


# ASSEMBLY STEPS

## STEP 1 (Option A)

### Clamp Installation:

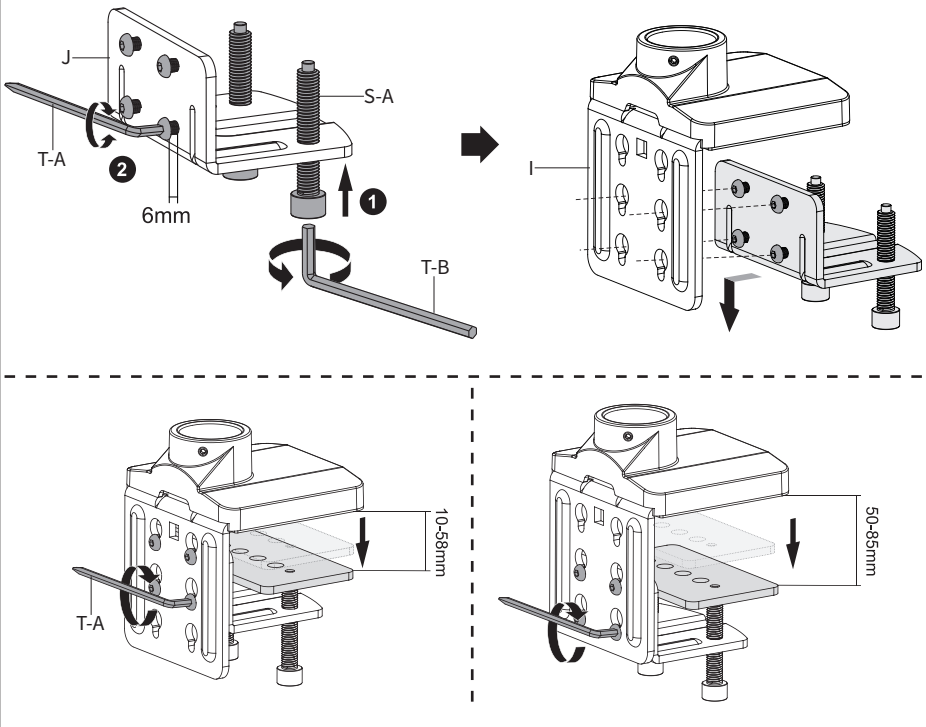
Assemble Clamp Brace (I) to Base (A) using M6x12mm Screws (S-B) and 4mm Allen Wrench (T-A). Remove adhesive backing from Pad (G) and place it on the underside of the clamp assembly.



## STEP 2 (Option A)

### Clamp Installation:

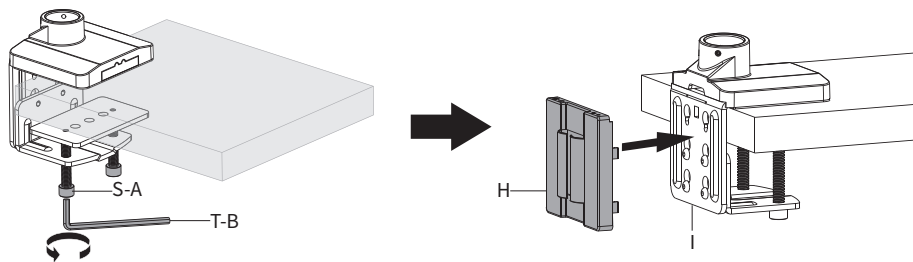
Insert M10x63mm Screws (S-A) into Lower Clamp (J) using 6mm Allen Wrench (T-B). Loosen the screws on the back of Lower Clamp (J) so that 6mm of threads are exposed using 4mm Allen Wrench (T-A). Assemble Lower Clamp (J) to Clamp Brace (I) in one of two positions as shown below, depending on the thickness of the desktop. Tighten screws using 4mm Allen Wrench (T-A).



## STEP 2 (Option A Continued)

### Clamp Installation:

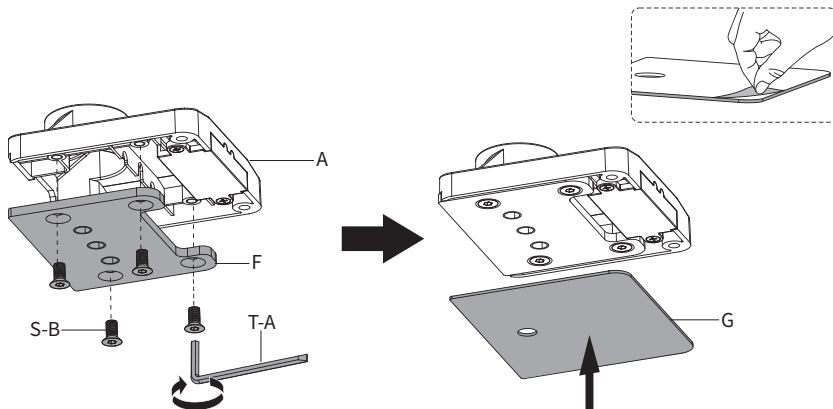
Secure the clamp assembly to the desktop by tightening M10x63mm Screws (**S-A**) using 6mm Allen Wrench (**T-B**). Place Cover (**H**) over the back of Clamp Brace (**I**).



## STEP 1 (Option B)

### Grommet Installation:

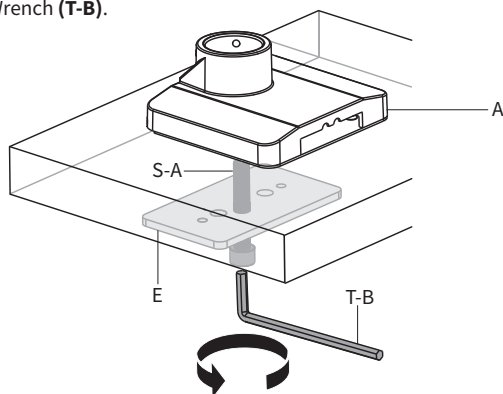
Assemble Grommet Plate (**F**) to Base (**A**) using M6x12mm Screws (**S-B**) and 4mm Allen Wrench (**T-A**). Remove adhesive backing from Pad (**G**) and place it on the underside of the assembly.



## STEP 2 (Option B)

### Grommet Installation:

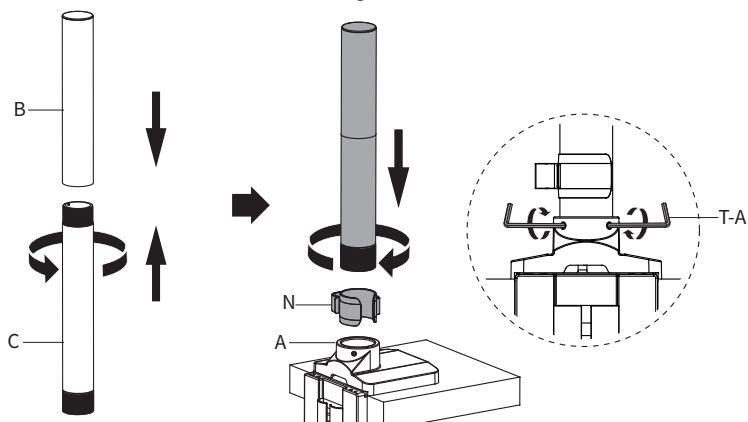
Install Base (**A**) to an existing grommet hole in the desktop using Support Plate (**E**) with M10x63mm Screw (**S-A**) and 6mm Allen Wrench (**T-B**).





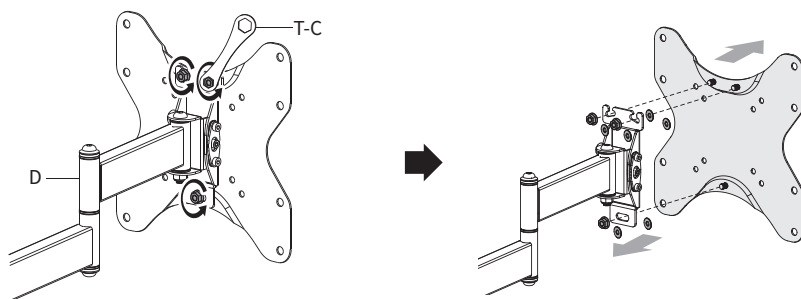
### STEP 3

Thread Bottom Pole (C) into Top Pole (B). Thread the pole assembly onto Base (A) with Pole Cable Clip (N). Tighten the set screws in the bottom of Base (A) using the flat end of 4mm Allen Wrench (T-A).



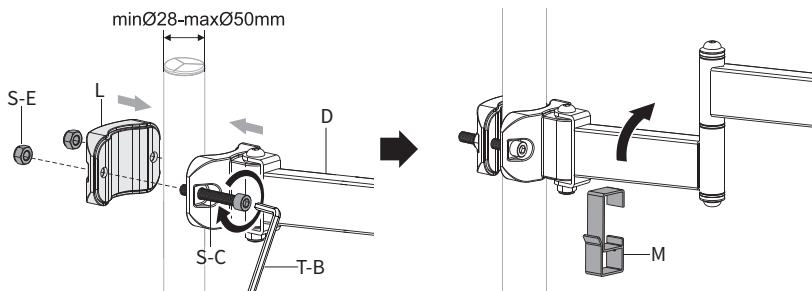
### STEP 4

Remove the nuts on the back of the VESA plate on Arm (D) use Wrench (T-C) and remove the plate.



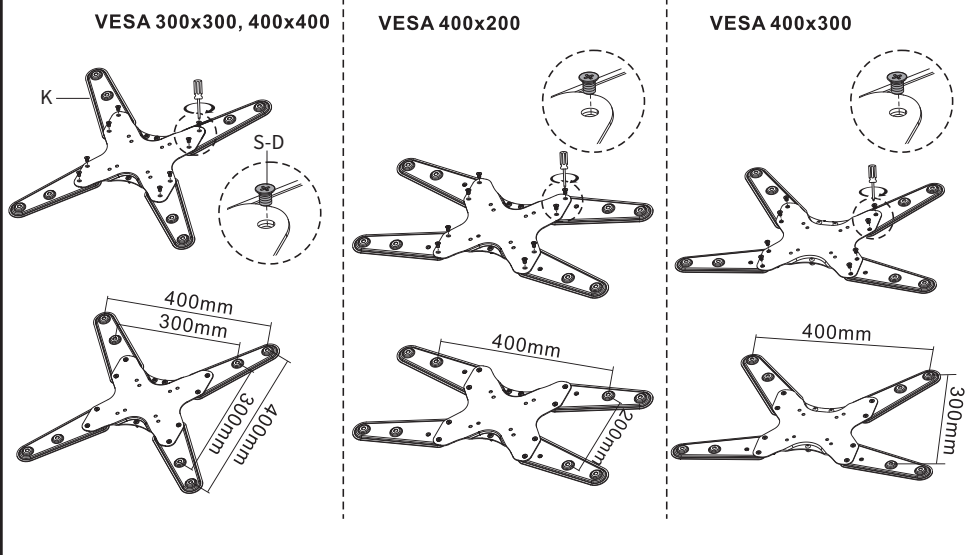
### STEP 5

Assemble Arm (D) to the pole assembly using Arm Clamp (L) with M8x55mm Screws (S-C) and M8 Nuts (S-E). Tighten using 6mm Allen Wrench (T-B). Attach Arm Cable Clip (M) to Arm (D).



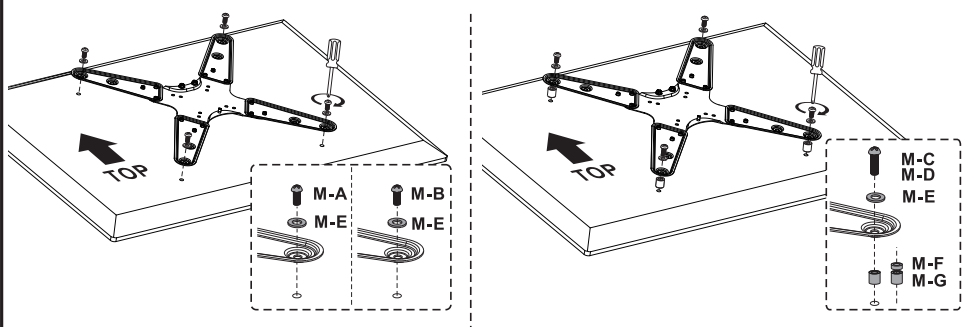
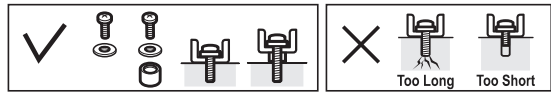
# STEP 6

Install VESA Adapter Set (K) to the previously removed VESA Plate using M6x8mm Screws (S-D) in the appropriate configuration based on your TV's VESA pattern.



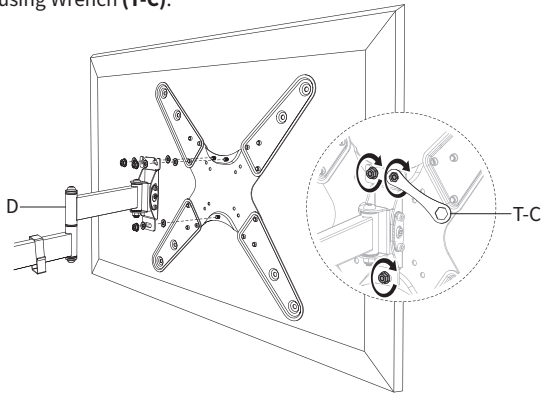
# STEP 7

Secure the VESA plate assembly to the back of the TV using Screws (M-A through M-D) with M8 Washers (M-E). Spacers (M-F, M-G) may be required. Tighten screws using a Phillips screwdriver.



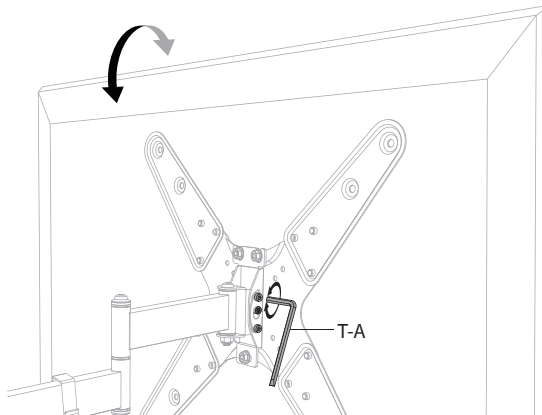
## STEP 8

Secure the VESA plate assembly to Arm (D) using the previously removed nuts and washers. Tighten the nuts using Wrench (T-C).



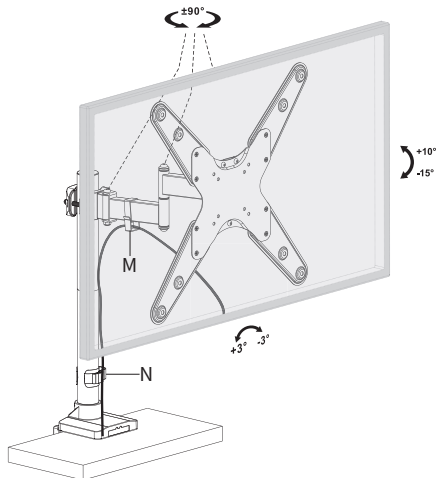
## STEP 9

Adjust the tilt using 4mm Allen Wrench (T-A).



## STEP 10

Route cables through Arm Cable Clip (M) and Pole Cable Clip (N).





Open **Monday - Friday 7:00am - 7:00pm** CST,

our dedicated support team can offer immediate assistance with rapid response times. If any parts are received damaged or defective, please contact us. We are happy to replace parts to ensure you have a fully functioning product.



309-278-5303

**AVG. RESOLUTION TIME** (*within office hrs*): **5M 4S**



[www.vivo-us.com](http://www.vivo-us.com)  
*Chat live with an agent!*

**AVG. RESOLUTION TIME** (*within office hrs*): **< 15 M**



[help@vivo-us.com](mailto:help@vivo-us.com)

**AVG. RESPONSE TIME** (*within office hrs*): **1HR 8M**

- 23% within < 15m
- 38% within < 30m
- 61% within < 1hr
- 83% within < 2hr
- 92% within < 3hr